

GGESS / 12.8V-100AH

LiFePO4 Battery



Maintenance Free



Grade A Cell



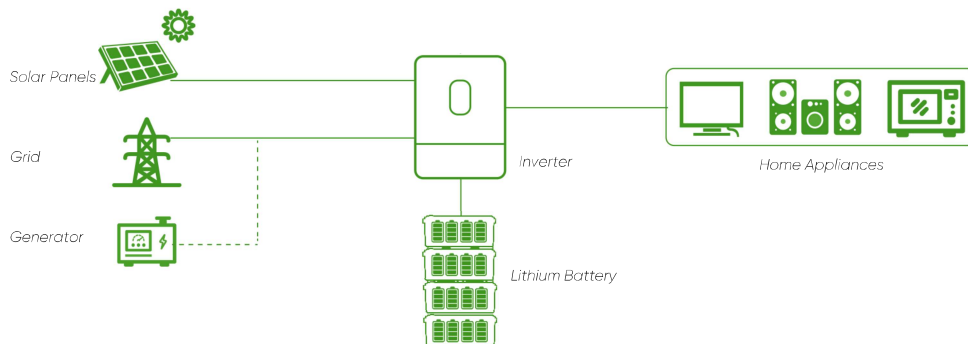
Bluetooth



LCD Screen

BMS

Intelligent BMS



Model	12.8V 100Ah
Nominal Capacity	1280Wh
Cell Specifications	LiFePO4
Cell Configuration	4S1P
Charge Cut-off Voltage	14.6V
Discharge Cut-off Voltage	10.8V
Max Charge Voltage	16V
Optimum Charge Current	50A
Max Continuous Charge Current	100A
Max Continuous Discharge Current	100A
Battery Management System	Over-voltage, Low-voltage, Temperature control, Overload and AC short circuit protection, Surge protection
Operating Temperature	Charge temperature 0°C-60°C Discharge temperature -20°C -60°C
Cycle Life	>5000 Cycles
Warranty	3 Years
Dimension (W, D, H)	332*172*229mm
Net Weight	10kg
Shelf Material	ABS Plastic Shell
Other Function (Optional)	Bluetooth App
Screen	LCD
Battery Type	Rechargeable Lithium Iron Phosphate